

KOMO® Product certificate K7414-10



Issued 2025-05-20 Replaces K7414/09
Valid until Indefinite Dated 2017-02-03
Page 1 of 3

Steel for reinforcement of concrete B500B: bars

7 Steel Nordic Manufacturing AS

STATEMENT BY KIWA

This product certificate is based on Guideline/BRL 0501 "Steel for the reinforcement of concrete" (Betonstaal)" dated 01 September 2010 inclusive amendment sheet dated 12 December 2018, issued according to the Kiwa-Regulation for Certification.

The quality system and the product characteristics of this product are checked periodically. Based on this, **Kiwa declares that** there is legitimate confidence that:

Upon delivery, the product supplied by the certificate holder meets the requirements:

- Of the technical specifications laid down in this product certificate,
- The product requirements laid down in the Guideline/BRL 0501.

Provided the product is accompanied by the KOMO® quality mark in the manner set out in this product certificate.

Ron Scheepers
Kiwa

*This product certificate is also included on the KOMO foundation websites: www.komo.nl and www.komo-online.nl.
Users of this product certificate is advised to check whether it is still valid. For this purpose consult the website of Kiwa: www.kiwa.nl.*

Kiwa Nederland B.V.
Sir Winston Churchillaan 273
Postbus 70
2280 AB RIJSWIJK
The Netherlands
Tel. 088 998 44 00
info@kiwa.com
www.kiwa.nl

Certificate holder
7 Steel Nordic Manufacturing AS
Verkstedløypa
Mo Industripark
P.O. Box 500
8601 MO I RANA, Norway
Tel. +47 47 70 33 33
www.7-steelnordic.com



Assessed is:
• Quality system
• Product
Periodic control

Steel for the reinforcement of concrete B500B: bars

1 TECHNICAL SPECIFICATION

This product certificate relates to the product characteristics of Steel for the reinforcement of concrete, B500B: (bars). The products are intended for use in concrete structures.

The following products are covered by this product certificate:

Classification	: B500A/B/C
Production method	: Hot rolled / water cooled
Nominal size	: 10 – 12 – 14 – 16 – 20 – 25 and 32 mm
Delivery condition	: bars

2 QUALITY MARK AND INDICATIONS PLACED ON THE PRODUCTS

The products are marked with a label with upon it at least on a clear and indelible way:

- The KOMO® indication or the KOMO® quality mark followed by the certificate number. The official KOMO quality mark is shown and executed as follows:



- The classification B500B
- BRL 0501
- Diameter
- The rolling mark
- Production code (heat number / cast number / coil number) or production date
- Factory brand or factory name

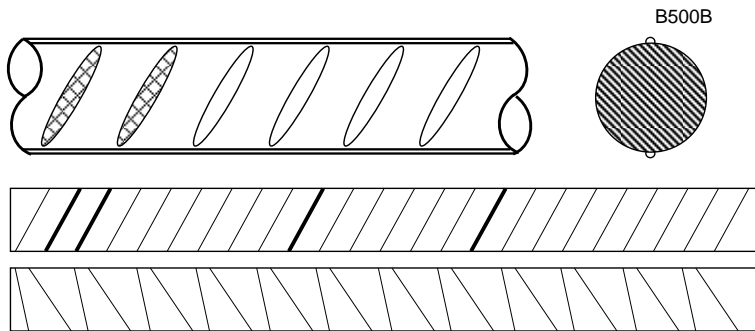
At least one label per bundle of bars is required.

Steel for the reinforcement of concrete is marked on the following way:

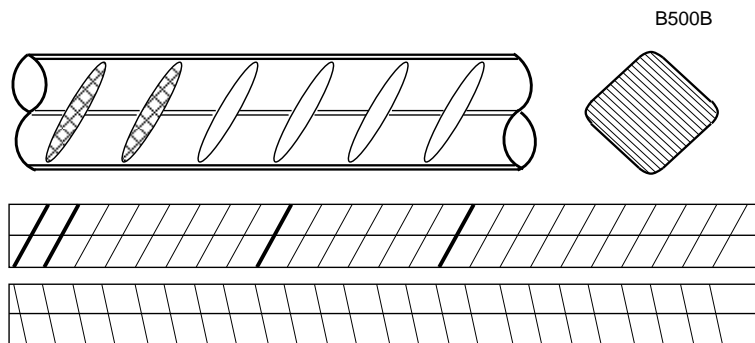
On one rib row by means of thickened ribs, with the code (6-5), figure 2.

For B500B Ø 8 mm: on two rib rows by thicken ribs, with the code (6-5), figure 3

Position of the rolling mark: at intervals of ± 1 m. The position of the transverse ribs may also be reversed.



(6-5) Figure 2



(6-5) Figure 3



Steel for the reinforcement of concrete B500B: bars

3 PRODUCT CHARACTERISTICS

The product meets the product characteristics as laid down in Guideline/BRL 0501.

4 TIPS FOR THE USER

Check on delivery of the products listed under the “technical specification” whether:

- The product(s) and material(s) ordered are delivered in accordance with the agreement you made.
- The brand and the method of marking is correct
- No defects or damage is visible (for example, resulting from the transportation).

If on the basis of the foregoing you decide to proceed to rejection, please contact

- 7 Steel Nordic Manufacturing AS

And if necessary,

- Kiwa Nederland B.V.

Consult NEN-EN 13670 for the correct method of storage, transport and processing.

Consult the website www.kiwa.nl to check whether this product certificate is still valid.

LIST OF DOCUMENTS

NEN 6008 : Betonstaal

NEN-EN 13670 : Het vervaardigen van betonconstructies

* For the actual version of the standards see the latest version of the BRL 0501 or latest amendment sheet.